

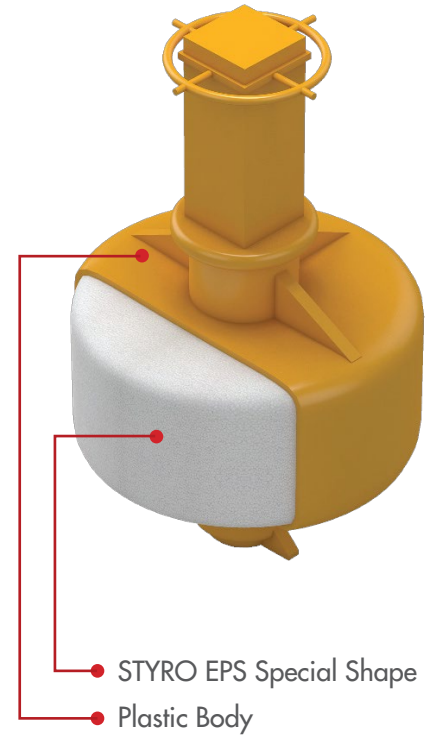


EXPANDED POLYSTYRENE SOLUTIONS

STYRO EPS for Buoys

STYRO EPS is a popular choice for manufacturing buoys and floats due to its lightweight and superior buoyancy and resilience properties. The design, shape and pattern of these products are customized based on the specific requirements of the application and there is no standard approach. STYRO can manufacture any kind of buoys and float with a range of customized shapes, as well as providing polyurea coating, additional fittings and finishing systems to meet diverse needs.

STYRO EPS buoys are durable and able to withstand harsh marine environments while maintaining buoyancy even in choppy waters. They are versatile and can be used for various applications, including as navigational aids, mooring buoys and marker buoys for underwater pipelines or cables.



Scan to learn more

STYRO has successfully supplied a wide range of buoys and floats for various marine industries and seashore applications.

- Pipe Handling Buoys**
High-density PUR cylindrical buoys with handling accessories for pipe pulling/handling applications.
- Diving/Fishing Buoys**
EPS floating buoys with PP rope and orange cloth encapsulation for diving and fishing areas.
- Weather Probing Buoys**
UV proof fiber glass coated floating buoys with EPS for weather probing.
- Marking/Signage Buoys**
Marking buoys/signage buoys for underwater positioning and navigation.
- Life Saving Buoys**
Life saving buoy/surfing buoys for water safety and rescue.
- Fishing Net Floats**
Simple EPS fishing net floats for fishing applications.
- Floatation/Buoyancy Applications**
Floatation and buoyancy applications for marine environments.
- Marine Floating Platforms**
Floating platforms and bridges for marine areas.

CALL NOW: 600 520 006

www.styrouae.com

info@styrouae.com



P.O.Box: 29272 - Sharjah, UAE
+971 6 534 4504

P.O.Box: 9108 - Abu Dhabi, UAE
+971 2 551 3688

P.O.Box: 48562 - Dubai, UAE
+971 4 892 2814